

Standard and Optional Equipment

Standard Equipment

- PVC seat
- Combination dry-type intake air filter
- Linde power steering
- Pneumatic tyres
- Standard lift mast: Lift height h3=3050mm
- Fork arms l=1000mm
- Standard fork carriage
- Multi-functional display
- Adjustable steering column
- Standard container ability (Height of overhead guard 2180mm)
- Standard truck lighting
- Protector for backward lighting
- Water-oil separator
- Pre-heating system

Optional Equipment

- Other lift height with Standard/Duplex/Triplex mast
- Side shifter
- Load backrest
- One or two additional hydraulic for all mast type
- Various nonstandard fork lengths
- Additional working lamp
- Twin drive wheel; SE tyres; Non marking tyres
- Special paint



Other Options Available on Request



Diesel Forklift Trucks Capacity 2500 - 3000kg HT25D, HT30D

1218



Safety

High visibility mast, duable chassis & overhead guard, large diameter power brake, low gravity center steering axle, all these ensure benchmarking safety standards.

Performance

Strong power engine match up stable and efficient transmission make the maximum use of power and torque, which leads to excellent performance and increase productivity.

Comfort

Spacious and comfort cabin reflect the most advance ergonomics design. Linde small diameter steering wheel, easy operated hydraulic lever and multi-function console brings unique driving experience to driver.

Reliability

Truck endured Linde strength and durable test base on Germany strict standard, possess excellent reliability.

Service

The convenience maintenance access and the high percentage of customer approved parts brings a high added value in terms of accessibility and change of parts.

Features

Stable and Efficient Transmission

- Benchmarking transmission efficiency
- Optimized torque converter design guarantee the long working life

High Quality Hydraulic and Mast System

- Linde lifting and tilting cylinder
- Triple filter clean the hydraulic oil thoroughly
- Germany mast profile steel



Strong and Environmental Engine

- One of the most powerful engines in the market
- High torque output can meet various applications requirement
- With latest EU stage IIIa emission standard

Linde Operator's Compartment

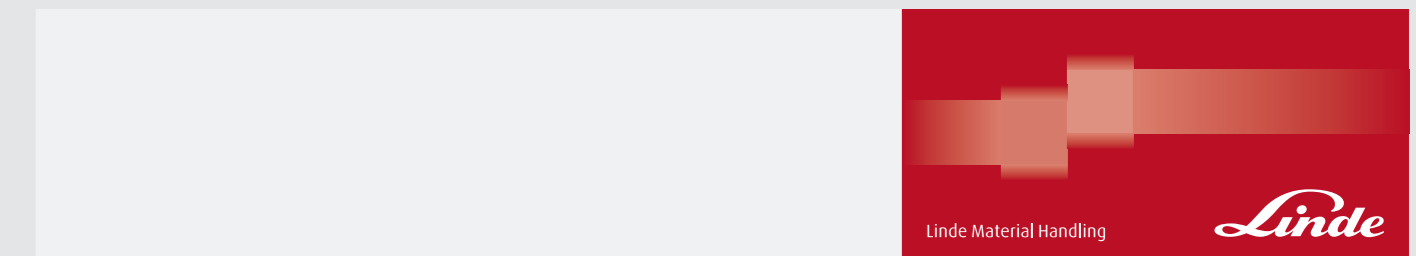
- Spacious operation room
- Linde small diameter steering wheel
- Hydraulic lever stand close to driver, which are easy and comfortable to operate
- Rich storage compartment

Multifunction Display

- Multifunction dashboard can display truck status, diesel level, etc.
- Well protected switch button and dashboard protected (IP 67)

Subject to modification in the interests of progress, illustration and technical details not binding for actual constructions and may show the optional equipments.

1218_HT25D, HT30D_D-04_2014/01

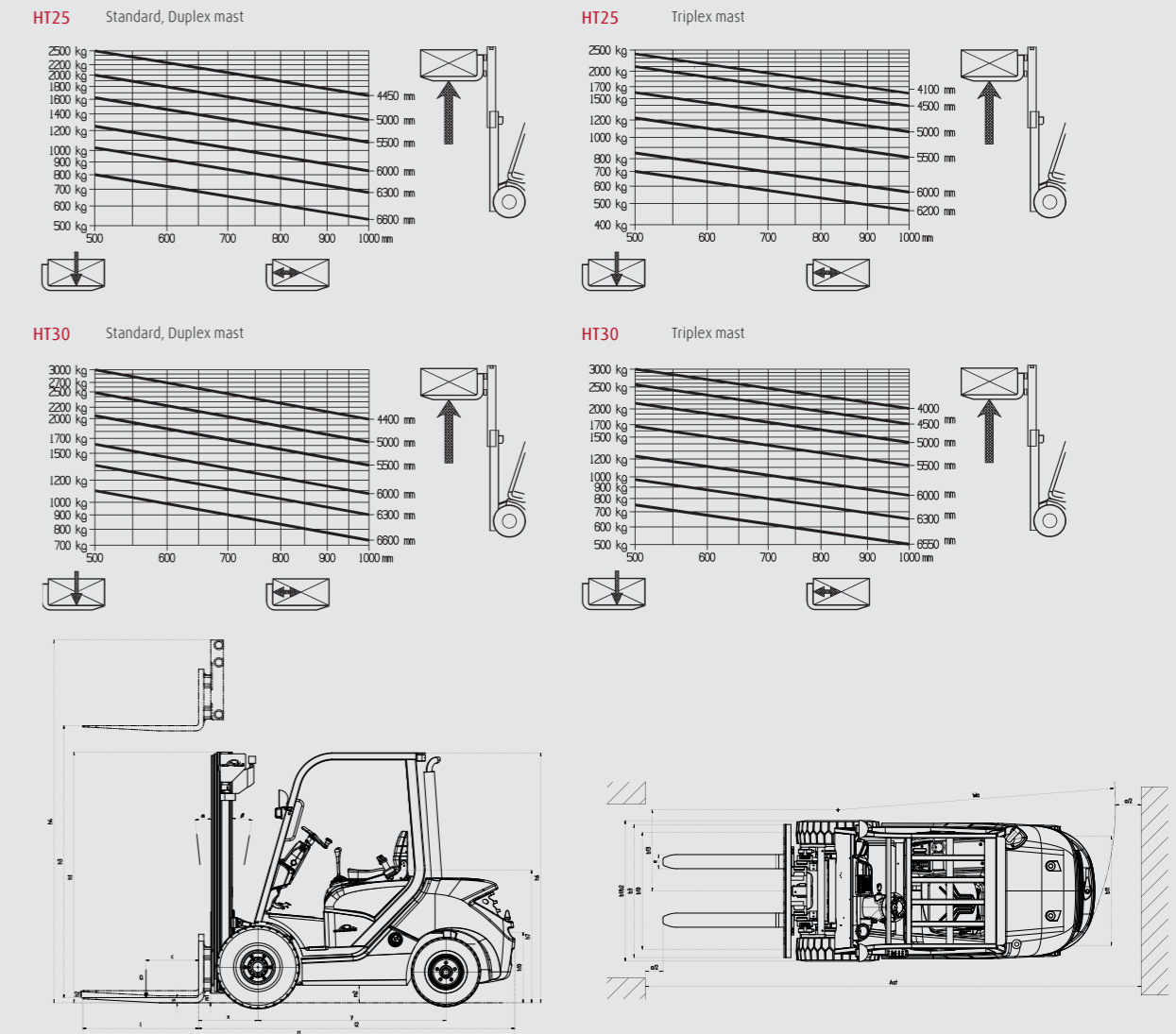


Technical Data

Characteristics	1.1	Manufacturer	Linde	LINDE	
	1.2	Model designation	HT25D	HT30D	
	1.3	Power unit: Battery, diesel, gasoline, LP gas, AC	Diesel	Diesel	
	1.4	Operation	Driver seated	Driver seated	
	1.5	Load capacity	Q(t)	2.5	3.0
	1.6	Load center	c(mm)	500	500
	1.8	Axle centre to fork face	x(mm)	495	495
	1.9	Wheelbase	y(mm)	1700	1700
	Weights	2.1	Service weight	kg	4170
2.2		Axle load with load, front/rear	kg	5730/940	6550/820
2.3		Axle load without load, front/rear	kg	1740/2430	1750/2620
Wheels	3.1	Tyre:SE=(super elastic), P=(pneumatic)	PN	PN	
	3.2	Tyre size, front	inch	28x9-15/14PR	28x9-15/14PR
	3.3	Tyre size, rear	inch	6,50-10/10PR	6,50-10/10PR
	3.5	Wheels, number front/rear(X=drive)		2 X /2	2 X /2
	3.6	Track width, front/rear	b10/b11(mm)	1000/980	1000/980
	Dimensions	4.1	Mast tilt, forward/backward	$\alpha / \beta (^{\circ})$	5/9
4.2		Height of mast, lowered	h1(mm)	2414	2414
4.3		Free lift	h5(mm)	150	150
4.4		Lift	h3(mm)	3050	3050
4.5		Height of mast, extended	h4(mm)	3864	3864
4.7		Height of overhead guard (cabin)	h6(mm)	2180	2180
4.8		Height of drive seat	h7(mm)	1140	1140
4.12		Tow coupling height	h10(mm)	586	586
4.20		Length to fork face	l2(mm)	2760	2760
4.21		Overall width	b1/b2(mm)	1250	1250
4.22		Fork dimensions, sxexl	s/e/l(mm)	45 x 100 x 1000	45 x 122 x 1000
4.23		Fork carriage to DIN 15173		2A	3A
4.24		Width of fork carriage	b3(mm)	1150	1150
4.31		Ground clearance with load, mast	m1(mm)	162	154
4.32		Ground clearance with load, center of wheelbase	m2(mm)	182	164
4.33		Aisle width, 1000x1200mm across forks	Ast(mm)	4254	4254
4.34		Aisle width, 800x1200mm along forks	Ast(mm)	4454	4454
4.35		Turning radius	Wa(mm)	2534	2534
4.36	Minimum pivoting point distance	b13(mm)	852	852	
Performances	5.1	Travel speed, with/without load	km/h	18/19	18/19
	5.2	Lifting speed, with/without load	m/s	0.56/0.60	0.50/0.60
	5.3	Lowering speed, with/without load	m/s	0.50/0.40	0.50/0.45
	5.5	Tractive force, with/without load	N	17100/12200	20300/12700
	5.7	Climbing ability, with/without load	%	25/31	29/31
	5.9	Acceleration time, with/without load	s	5.1/4.5	5.1/4.5
Drive	7.1	Manufacture of engine/type		Mechanical/hydraulic	Mechanical/hydraulic
	7.2	Engine performance according to ISO 14396	kw	Yanmar 4TNE98-BQLX	Yanmar 4TNE98-BQLX
	7.3	Rated speed	rpm	43.0	43.0
	7.4	Number of cylinders / displacement	cm ³	2300	2300
Others	8.1	Type of drive control		Hydrodynamic	Hydrodynamic
	8.2	Working pressure for attachments	bar	-	-

Figures for standard version may vary when options equipment is fitted

Lifting Capacity Diagram for Standard/Duplex Mast/ Triplex Mast with Standard Fork Carriage



Mast Datasheet (in: mm)

Standard masts (mm)							
Lift height	h3	3050	4050	4650	5150	5550	6150
Retracted height with 150mm free lift	h1	2414	2914	3214	3464	3664	3964
Free lift	h2	150	150	150	150	150	150
Height of overall at max. lift	h4	3864	4864	5464	5964	6364	6964
Duplex masts (mm)							
Lift height	h3	2750	3050	3650			
Retracted height (Height of mast, lowered)	h1	2119	2269	2569			
Free lift	h2	1325	1475	1775			
Height overall at max. Lift	h4	3544	3844	4444			
Triplex masts (mm)							
Lift height	h3	4025	4525	5075	5675	6275	
Retracted height (Height of mast, lowered)	h1	2119	2240	2469	2669	2869	
Free lift	h2	1325	1450	1675	2025	2075	
Height of max, extended	h4	4819	5319	5869	6469	7069	

Alternative lift heights and figures on request.